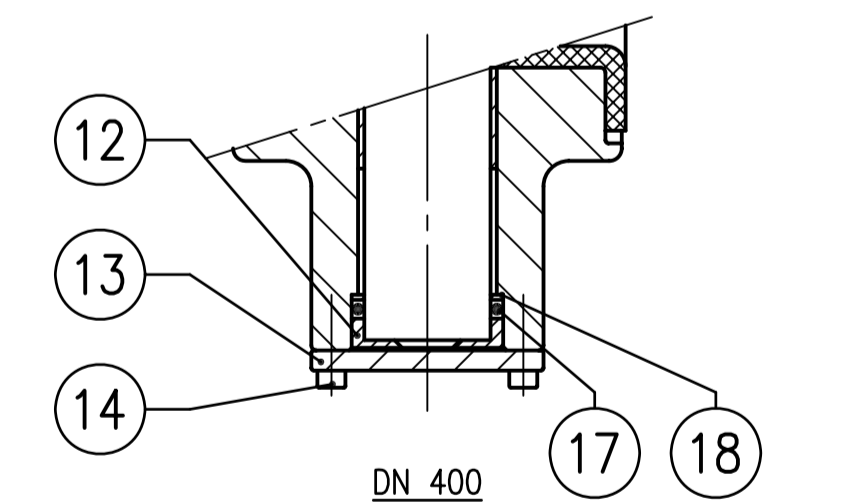
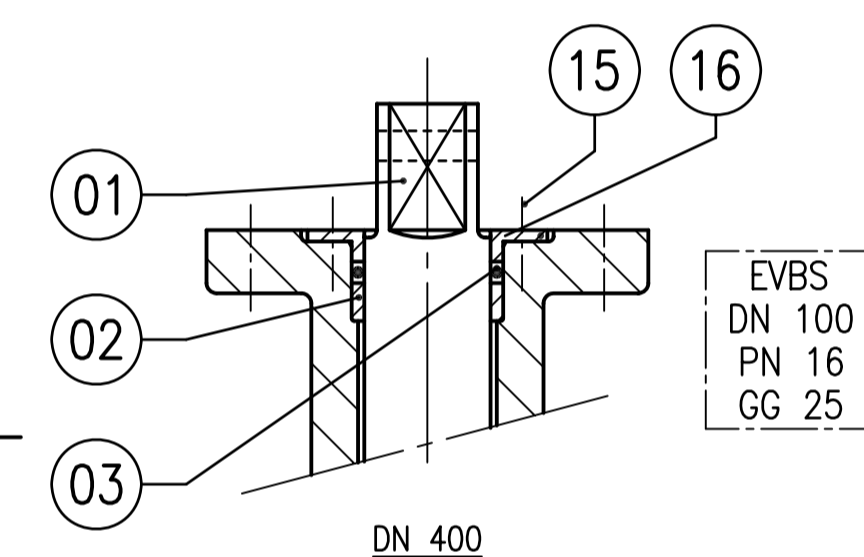
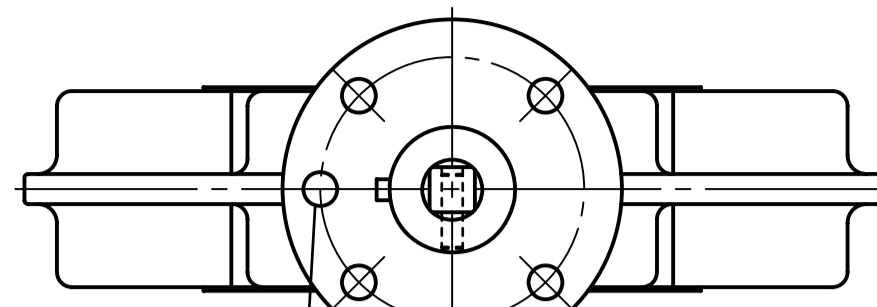


PARTS LIST BUTTERFLYVALVE					
ITEM	NR.	DESCRIPTION	MATERIAL		
			DESIGNATION	MAT.NR.	NORM(DIN)
1	1	SHAFT	X20CrNi 17 2 (431) ○	1.4057	17440
2	1	BUSH	G-CuSn5ZnPb (C.836.00)	2.1096.01	1705
3	2-1	O-RING	EPDM ○○	-	3760
4	1	BODY	GGG 40 (60-40-18) *	0.7040	1693
5	2	BEARING	St./PTFE	-	1494
6	1-2-3	CONICAL PIN	X20CrNi 17 2 (431) ○	1.4057	17440
7	1	DISC	X20CrNi 17 2 (431) ○	1.4057	17440
8	1	SHAFT	X20CrNi 17 2 (431) ○	1.4057	17440
9	1	LINING	EPDM ○○	-	3760
10	1	SEALING RING	Cu	-	7603
11	1	PLUG	5.8/Zn5C	-	908
12	1	AXIAL BEARING	G-CuSn5ZnPb (C.836.00)	2.1096.01	1705
13	1	COVER PLATE	ST 37.2	1.0037	17100
14	4	CYLINDER HEAD SCREW	8.8/Zn5C	-	912
15	2	COUNTERSUNK SCREW	8.8/Zn5C	-	7991
16	1	FLANGED BUSH	G-CuSn5ZnPb (C.836.00)	2.1096.01	1705
17	1	O-RING	EPDM ○○	-	3760
18	1	RING	G-CuSn5ZnPb (C.836.00)	2.1096.01	1705
19	1	EXTENSION B3E	-	-	-
20	1	WORMGEAR	SEE DOC. MANUFACTURER	TYPE AB	-
21	1	CHAIN	STEEL/Zn5C	-	-
22	1	PADLOCK	-	-	-
23	4	STUD	8.8/Zn5C	-	912
24	8	PLAIN WASHER	STEEL/Zn5C	-	-
25	8	HEXAGON NUT	8/Zn5C	-	-
26	1	SWITCH SET	-	-	-
27	4	HEXAGONBOLT	8/Zn5C	-	-

\* ALTERNATIVE MATERIAL: (DN 50 - 150) GG25 (40 B) 0.6025 1691 (NOT FOR TYPE EVFS/EVFL)  
 \* ALTERNATIVE MATERIAL: WCB 1.0619 ASTM - A216/EN102  
 ○ ALTERNATIVE MATERIAL: X20CrNiMoN 22 5 3 1.4462 [SEW 400]  
 ○ ALTERNATIVE MATERIAL: GX2CrNiMoN26-7-4 1.4469 ASTM - A890  
 ○○ ALTERNATIVE MATERIAL: NBR - 3760



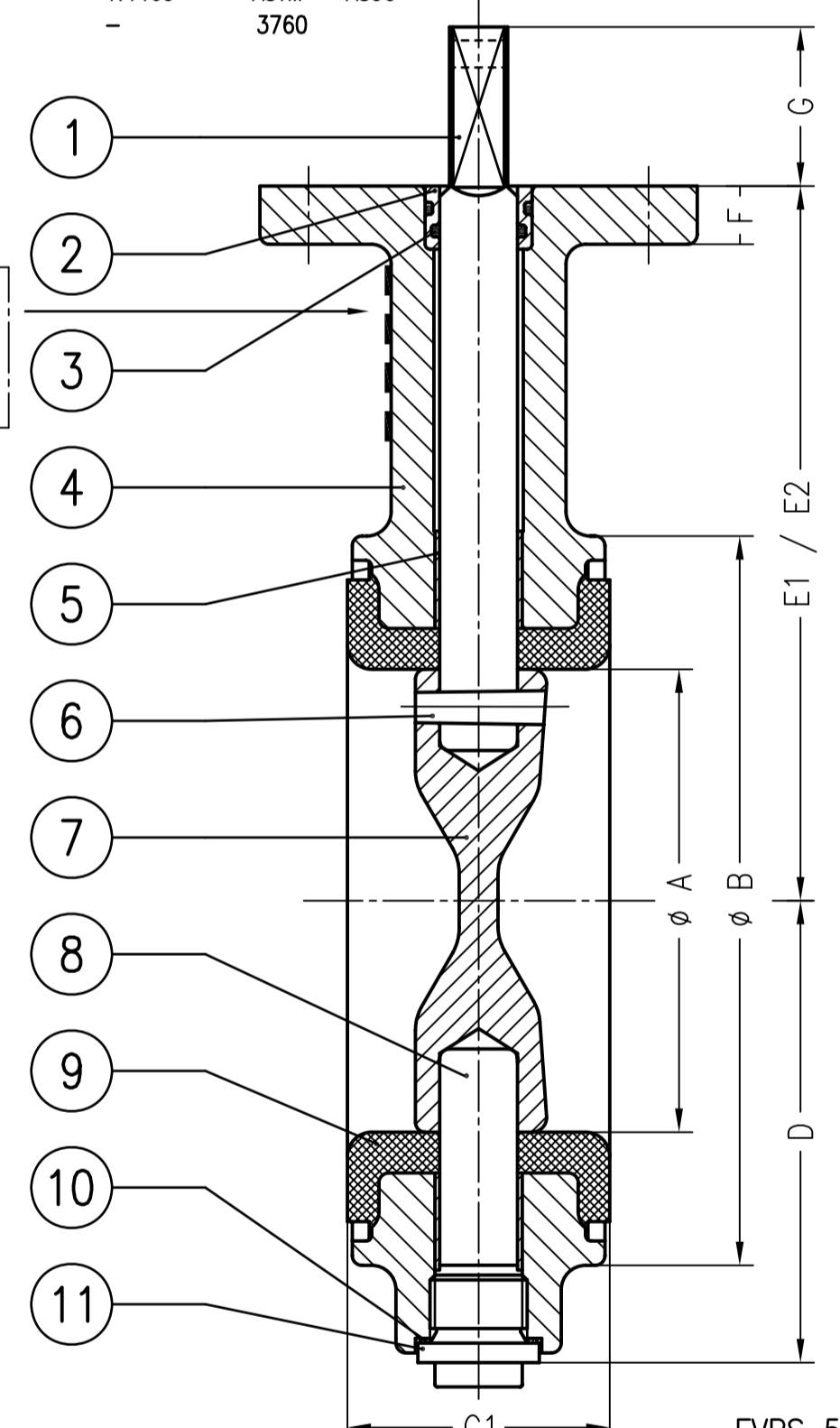
MOUNTING POSITION OF ACTUATOR  
INCLUDING B3E EXTENSION  
ENSURING ONE POSITION



INDEX HOLE  
INDEX PIN IN WORMGEAR  
INDEX PIN IN EXTENSION

COATING CC-1:  
HANDWHEEL: BLACK, RAL 9017  
VANE: YELLOW, RAL 1021  
EXTENSION B3E: BLACK, RAL 9017

NIET GEREESTREED  
NIET GEBRUIKEN VOOR FABRICAGE  
**EXTRA COPY**  
NOT REGISTERED  
NOT TO BE USED FOR FABRICATION



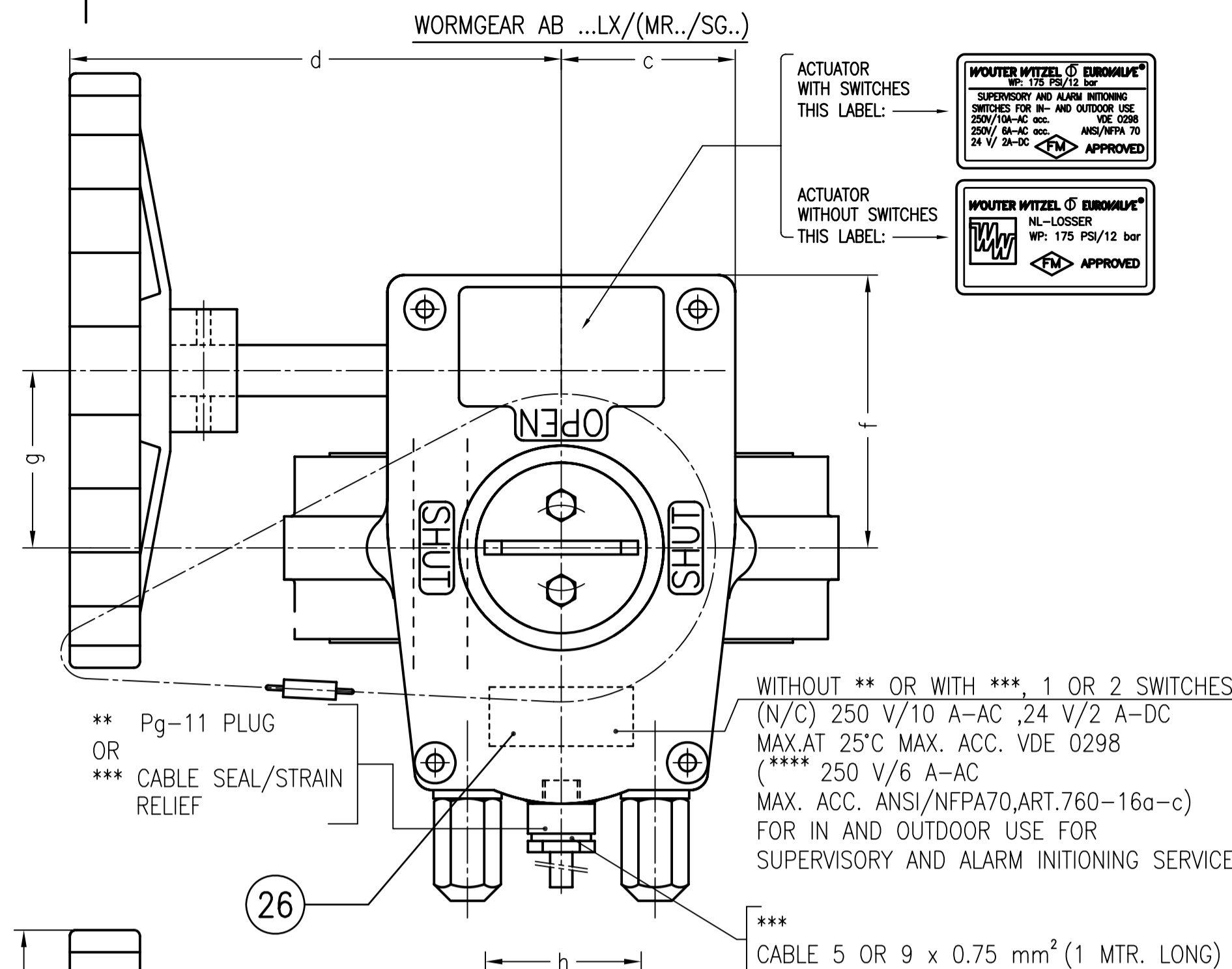
PARTS LIST EXTENSION					
ITEM	NR.	DESCRIPTION	MATERIAL		
			DESIGNATION	MAT.NR.	NORM(DIN)
28	1	SQUARE B3E	St 37-2	1.0037	17100
29	1	TOPFLANGE	St 37-2	1.0037	17100
30	1	INNERTUBE	St 37-2	1.0037	17100
31	1	OUTERTUBE	St 37-2	1.0037	17100
32	1	BOTTOMFLANGE	St 37-2	1.0037	17100
33	1	INNERSQUARE B3E	St 37-2	1.0037	17100

EVBS 50 - 300 (E1)  
EVBSL 50 - 200 (E2)

DIMENSION TABLE BUTTERFLY VALVE mm (IN)													
DN	A	B	FACE TO FACE DIMENSIONS				STANDARD NECK		LONG NECK	F	G	H	J
			C1	C2	C3	C4	D	E1	E2				
50 2"	50 (2.0)	100 (4.0)	43 (1.7)	43 (1.7)	108 (4.3)	150 (5.9)	63 (2.5)	118 (4.6)	152 (6.0)	12 (0.5)	34 (1.3)	10 (0.4)	12 (0.5)
65 2.5"	65 (2.5)	115 (4.5)	46 (1.8)	46 (1.8)	112 (4.4)	170 (6.7)	71 (2.8)	126 (5.0)	160 (6.3)	12 (0.5)	34 (1.3)	10 (0.4)	12 (0.5)
80 3"	80 (3.0)	130 (5.1)	46 (1.8)	64 (2.5)	114 (4.5)	180 (7.1)	78 (3.1)	133 (5.2)	167 (6.6)	12 (0.5)	34 (1.3)	10 (0.4)	12 (0.5)
100 4"	100 (4.0)	150 (6.0)	52 (2.0)	64 (2.5)	127 (5.0)	190 (7.5)	96 (3.9)	147 (5.8)	189 (7.4)	12 (0.5)	34 (1.3)	12 (0.5)	16 (0.6)
125 5"	125 (5.0)	182 (7.2)	56 (2.2)	70 (2.8)	140 (5.5)	200 (7.9)	109 (4.3)	160 (6.3)	202 (8.0)	12 (0.5)	34 (1.3)	12 (0.5)	16 (0.6)
150 6"	150 (6.0)	210 (8.3)	56 (2.2)	76 (2.5)	140 (5.5)	210 (8.3)	133 (5.2)	180 (7.1)	224 (8.8)	14 (0.6)	34 (1.3)	16 (0.6)	22 (0.9)
200 8"	200 (8.0)	262 (10.4)	60 (2.4)	89 (3.5)	152 (6.0)	230 (9.1)	158 (6.2)	204 (8.0)	248 (9.8)	14 (0.6)	34 (1.3)	16 (0.6)	22 (0.9)
250 10"	250 (10.0)	315 (12.4)	68 (2.7)	114 (4.5)	165 (6.5)	250 (9.8)	194 (7.6)	245 (9.6)	-	15 (0.6)	45 (1.8)	24 (0.9)	30 (1.2)
300 12"	300 (12.0)	371 (14.6)	78 (3.1)	114 (4.5)	178 (7.0)	270 (10.6)	219 (8.6)	270 (10.6)	-	15 (0.6)	45 (1.8)	24 (0.9)	30 (1.2)
350 14"	336 (13.2)	405 (16.0)	78 (3.1)	-	190 (7.5)	290 (11.4)	256 (10.1)	315 (12.4)	-	15 (0.6)	45 (1.8)	24 (0.9)	30 (1.2)
400 16"	386 (15.2)	470 (18.5)	102 (3.1)	-	216 (8.5)	310 (12.1)	308 (12.1)	363 (14.3)	-	25 (1.0)	50 (2.0)	30 (1.2)	40 (1.6)

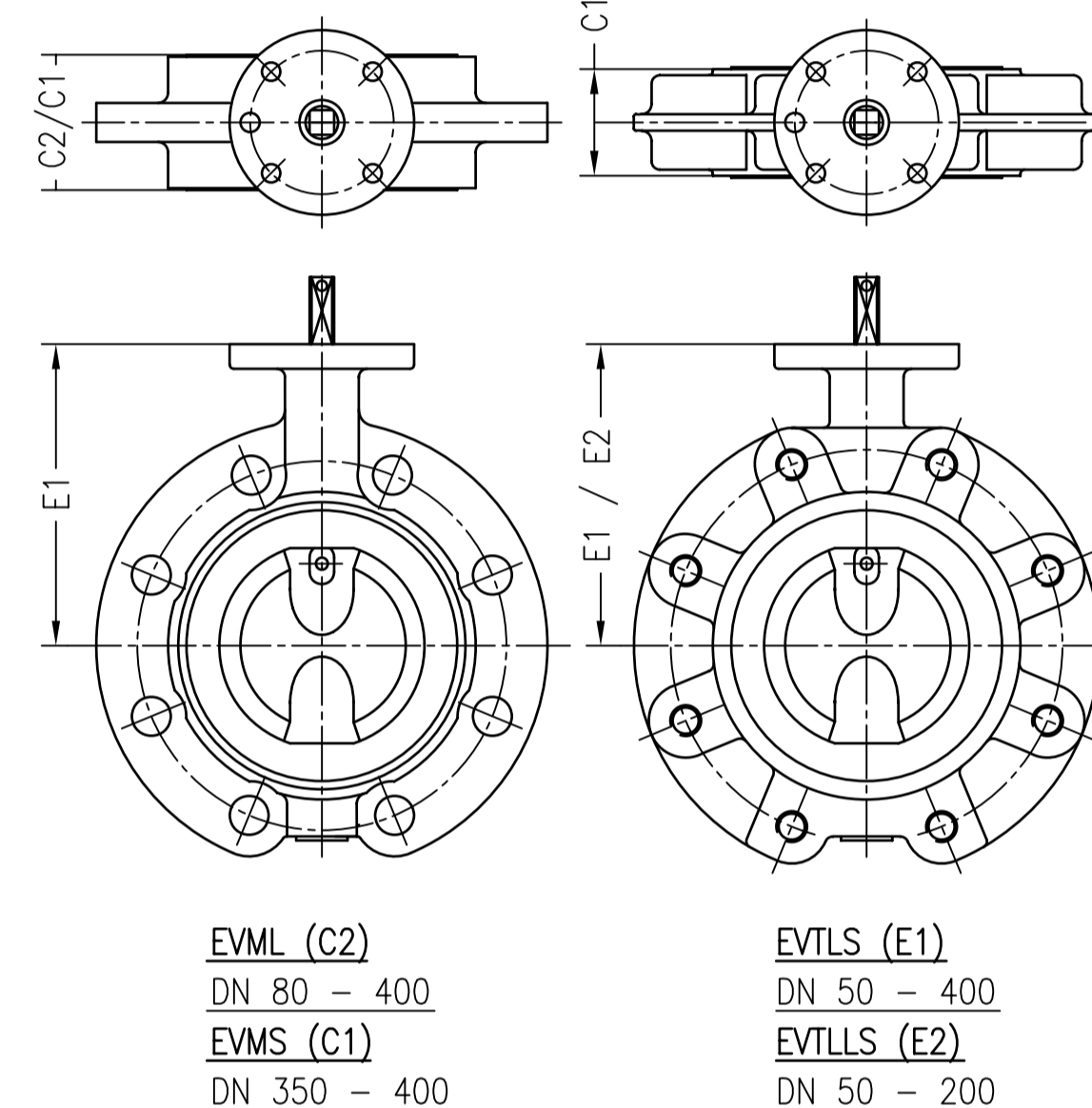
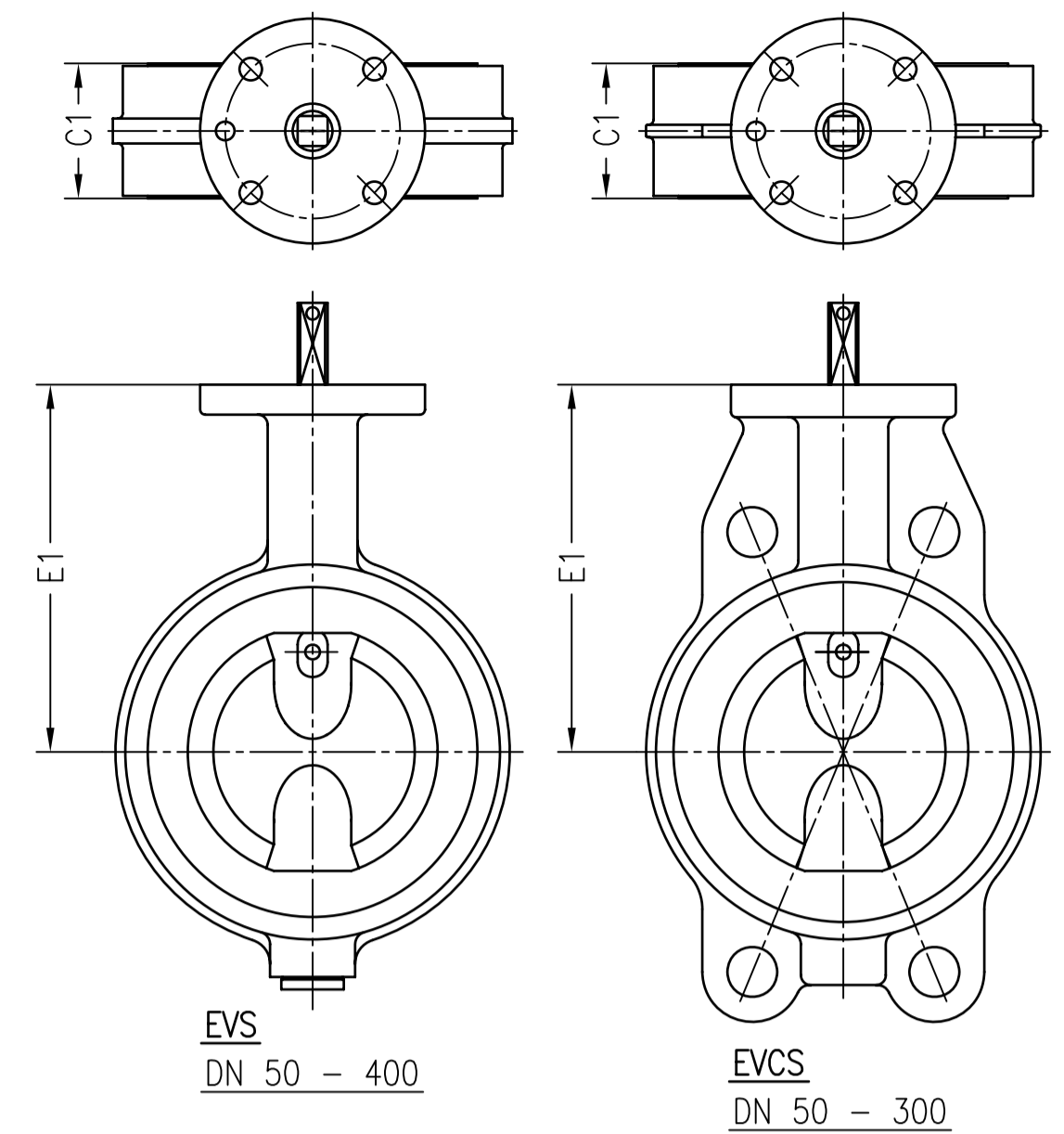
REVIEW VALVE DELIVERY	
DN	ACTUATOR
DN 50	AB 210A-LX/MR 100
DN 65	AB 210A-LX/MR 100
DN 80	AB 210A-LX/MR 100
DN 100	AB 210B-LX/SG 150
DN 125	AB 210B-LX/SG 150
DN 150	AB 210C-LX/SG 200
DN 200	AB 210C-LX/SG 200
DN 250	AB 550LX/SG 300
DN 300	AB 550LX/SG 300
DN 350	AB 550LX/SG 300
DN 400	AB 880LX/SG 400

DIMENSION TABLE ACTUATOR								
ACTUATOR	a	b	c	d	e	f	g	h
AB 210LX/MR 100	27	61	51	172	100	73	45	45
AB 210LX/SG 150	27	61	51	218	150	73	45	45
AB 210LX/SG 200	27	61	51	218	200	73	45	45
AB 550LX/SG 300	40	85	65	282	300	105	71	75
AB 880LX/SG 400	42	98	75	285	400	126	86	85



WITHOUT \*\* OR WITH \*\*\*, 1 OR 2 SWITCHES  
(N/C) 250 V/10 A-AC, 24 V/2 A-DC  
MAX. AT 25°C MAX. ACC. VDE 0298  
(\*\*\*\*) 250 V/6 A-AC  
MAX. ACC. ANSI/NFPA70, ART. 760-16a-c)  
FOR IN AND OUTDOOR USE FOR  
SUPERVISORY AND ALARM INITIATION SERVICE

\*\*\* CABLE SEAL/STRAIN RELIEF  
CABLE 5 OR 9 x 0.75 mm<sup>2</sup> (1 MTR. LONG)



REVIEW VALVE TYPES AND SIZES	
TYPE	DN
EVBS	50 - 400
EVBSL	50 - 200
EVML	80 - 400
EVMS	350 - 400
EVTLS	50 - 400
EVTLLS	50 - 200
EVFS	50 - 400
EVFL	50 - 400
EVCS	50 - 300
EVFL (C3)	DN 50 - 400
EVFL (C4)	DN 50 - 400

FOR LIMIT SWITCHES AND WIRING DIAGRAM SEE DRAWING D-75173-A

BUTTERFLY VALVES FOR FIRE PROTECTION SERVICE ACC : FM 1112

REMARKS:	ISO 128 A	W. WITZEL ORDER NR.	CLIENT ORDER NO.
-	-	-	PROJECT : TYPE APPROVAL FM
REV DATE	CODE	DRWN	APPR
B 080523	1287	DW	TP
SCALE : -		DATE : 2007/11/21	TITLE: VLINDERKLEP
DRAWN : D. Wijnholds		APPROV: T. Punt	EV. WORMGEAR AB.LX/RD.
WW EuroValve		ALL RIGHTS RESERVED	DRAWING NO: D-ABG004-B